

TB 130 Conveyor Spec Sheet

Conveyors

Conveyor horizontal reach

Maximum at 0°	(38.56m)
Maximum at 29°	(33.74m)
Conveyor belt width	(457mm)
Feed conveyor length	(11.60m)
Feed conveyor belt width	(457mm)
Trunk/end hose length	(4.57m)

Discharge height from grade

Maximum at 29°	(20.81m)
Maximum at -15°	(-7.86m)
Rated capacity at 0°	(4.60m ³ /min)
main & feed conveyors	(275m ³ /hr)
Rated capacity up to 20°	(2.90m ³ /min)
main & feed conveyors	(175m ³ /hr)

Outriggers

Net reach beyond outriggers

at 0°	(36.81m)
at 29°	(31.99m)
Outrigger spread L - R — front hydraulic extend out/down	(8.46m)
Outrigger spread L - R — rear hydraulic extend out/down	(8.84m)

General Specifications

Water tank capacity	(644L)
Hydraulic oil tank capacity with cooler	(492L)

Truck Specifications

Weight	(10,124kg)
Engine horsepower	405 hp / (302kW)
Wheelbase	(7,925mm)
Cab height	(2,642mm)
Steering radius (outside)	(13.87m)
Steering angle	38°
Fuel tank capacity	(416L)
Transmission	Mack T309LR 9-Speed

Transport Axle Weights

Steering	(15,003kg)
Tandem	(19,609kg)
Total	(34,612kg)

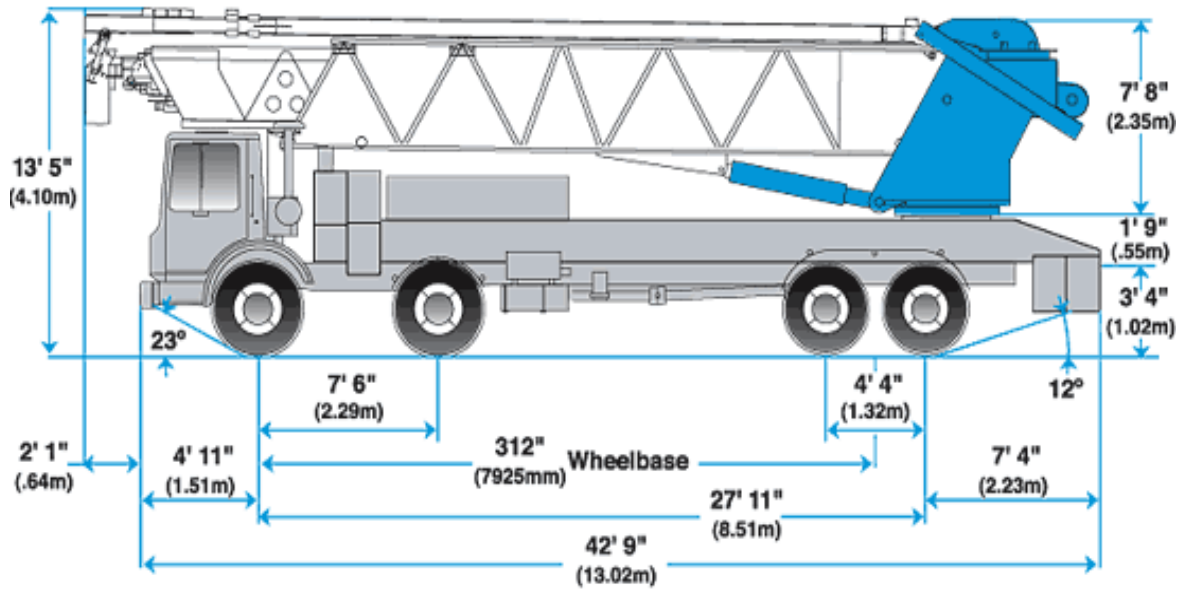
Maximum theoretical values listed.

* Truck dimensions will vary with different truck makes, models and specifications.

• Weights are approximate and include conveyor truck, full hydraulic oil, fuel, driver and 100 gal (379L) of water.

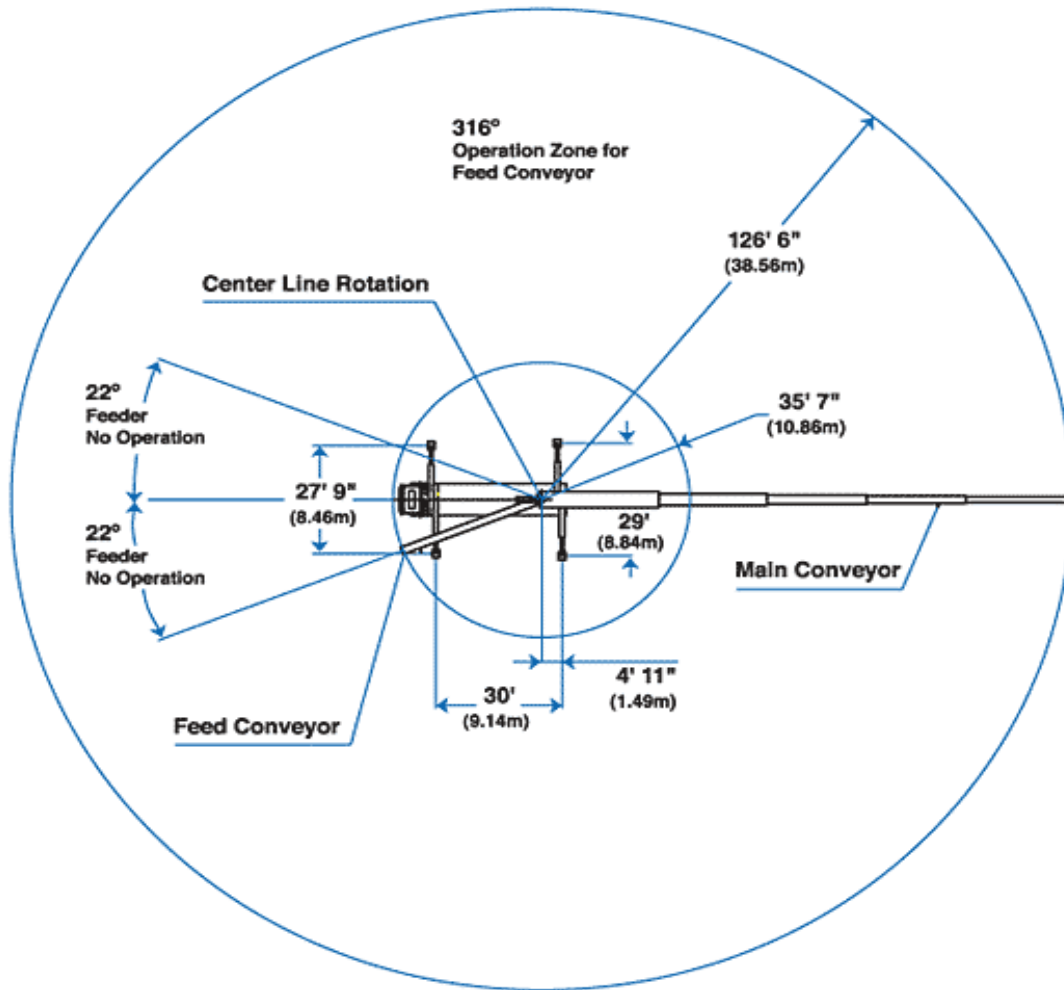
+ All specifications apply to units mounted on Mack MRU 613.

Features: TB 130 Specification Drawing



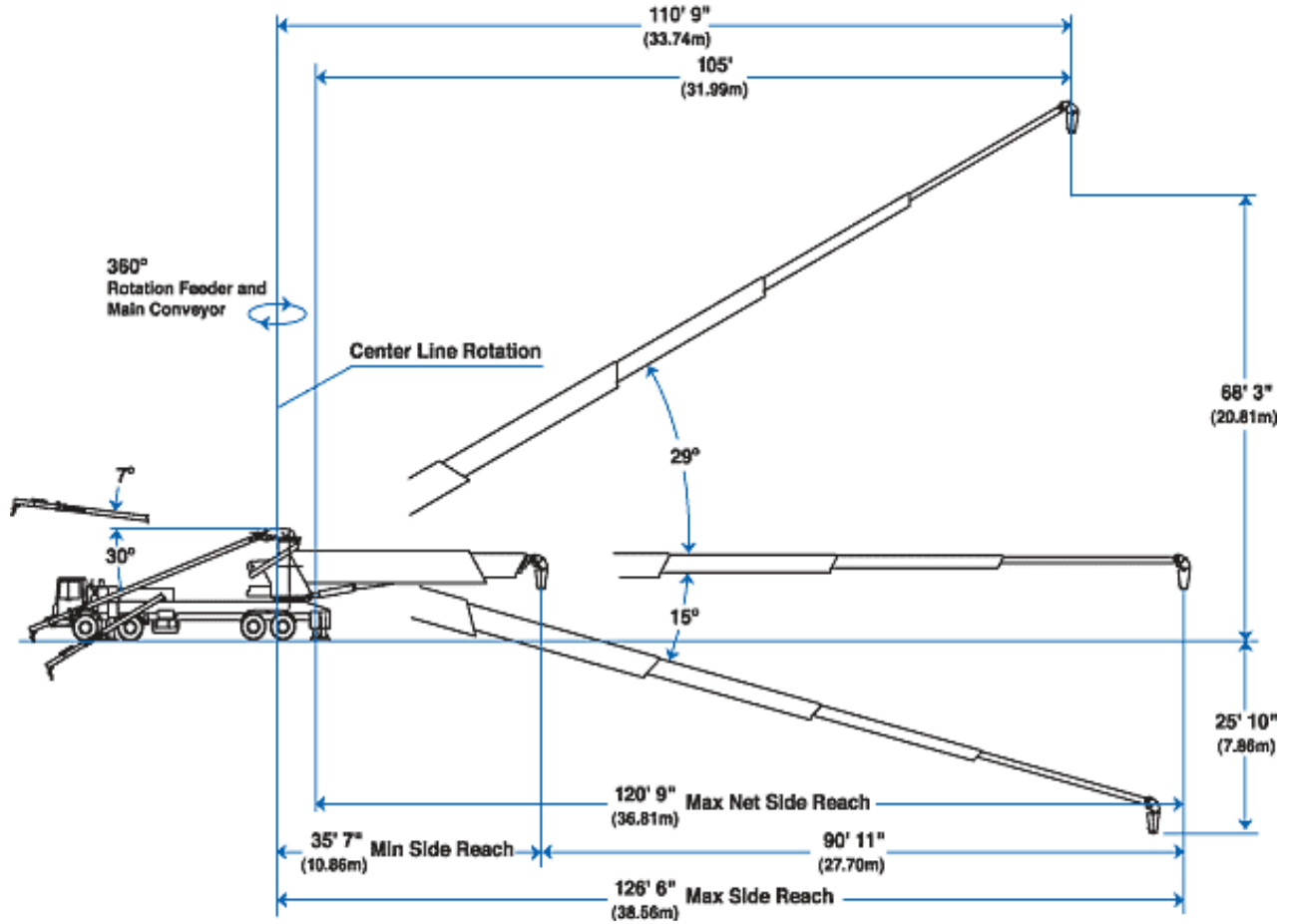
MINING

Features: TB 130 Operation Zone



SHIPPING

Features: TB 130



CONSTRUCTION